

COMPONENT SPECIFICATION SHEET:

Casma Top Patch Fitting-42020

November 21, 2011


Function:

- Center Hung Pivot
- Left or Right Doors
- Double Acting
- Used with Manual Pivot or Overhead Closer
- For 15mm & 19mm Glass

Solid Aluminum Body

Related Parts	Part No.
Top Adj. Pivot	10170
Overhead Closer	RTS-88
Wall Mount Transom W/Pivot	43410
Sidelite/Transom Patch W/Pivot	44010
Sidelite/Transom/Fin	45015/17

Stock Finishes:

Brush Stainless Steel
 Polish Stainless Steel
 Clear Anodized

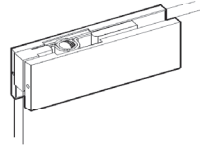
Available Finishes:

Polished Brass
 Dark Bronze Anodized

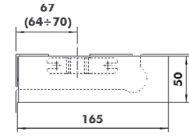
Custom Finishes:

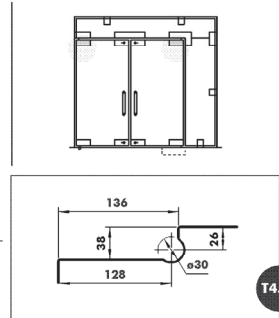
Paint
 Power Coating
 Custom Anodizing

42020
cerniere alte > top patch fittings > bisagras altas



01





T4.02

Finiture disponibili - Available finishes
 Acabados disponibles

610	<input checked="" type="checkbox"/>
611	<input checked="" type="checkbox"/>
612	<input checked="" type="checkbox"/>
613	<input checked="" type="checkbox"/>
614	<input checked="" type="checkbox"/>
615	<input checked="" type="checkbox"/>
620	<input checked="" type="checkbox"/>
633	<input checked="" type="checkbox"/>
Ral	<input checked="" type="checkbox"/>
710	<input checked="" type="checkbox"/>
711	<input checked="" type="checkbox"/>
712	<input checked="" type="checkbox"/>
713	<input checked="" type="checkbox"/>
810	<input checked="" type="checkbox"/>
812	<input checked="" type="checkbox"/>

Caratteristiche tecniche - Technical characteristics - Características técnicas			
Spessore vetro	Glass thickness	Espesor del vidrio	mm 19-3/4"
Peso massimo della porta	Max. door weight	Peso máximo de la puerta	kg 125
Larghezza massima della porta	Max. door width	Ancho máximo de la puerta	mm 1000
Coppia di serraggio raccomandata per viti di fissaggio	Recommended torque for fixing screws	Momento del cerramiento aconsejado para tornillos	Nm 14÷16
Resistenza allo sfilamento del vetro	Glass holding power	Agarre sobre el vidrio	kg >200
Peso medio dell'articolo	Average item weight	Peso medio del artículo	kg 0,60