

COMPONENT SPECIFICATION SHEET

DORMA BTS 80 Accessories: Floor Closer Extended Spindle

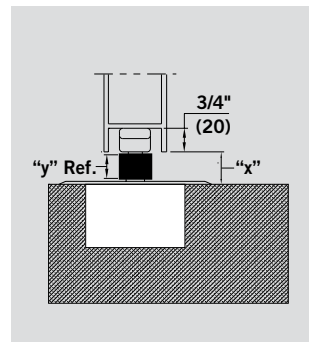
STOCK & SPECIAL ORDER

SPINDLES

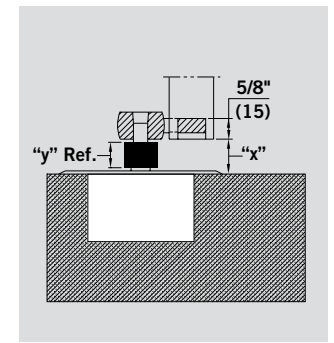
FLOOR-CONCEALED DOOR CLOSERS BTS80

Spindle #	Dimension "x" (Door Clearance)	3° Offset Spindle No.	Dimension "y"
74003	5/16"	80003	1/8"
74005	1/2"	80005	5/16"
74007	5/8"	—	7/16"
(STD) 74010	3/4"	80010	1/2"
74012	13/16"	—	5/8"
74015	7/8"	80015	11/16"
74020	1-1/8"	80020	7/8"
74025	1-5/16"	80025	1"
74030	1-1/2"	80030	1-5/16"
74035	1-11/16"	—	1-1/2"
74040	1-7/8"	—	1-11/16"
74045	2-1/16"	—	1-7/8"
74050	2-5/16"	—	2-1/16"

Center Hung Applications



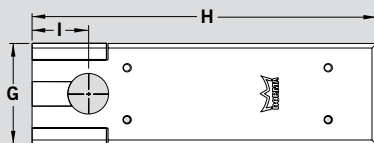
Offset Hung Applications



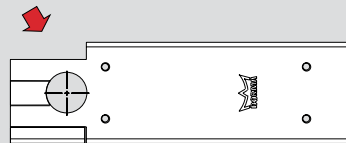
Offset Spindles

Spindles are available with a 3° offset for additional pressure to hold door in the closed position. Normally, this is only necessary for center-pivoted single acting applications. However, they can also be used with other applications to compensate for templating errors. Specify hand of offset spindle when ordering.

Center Pivoted Door



R.H. Offset Pivoted Door



L.H. Offset Pivoted Door



	G	H	I	J
Inches	4-1/8	14-3/32	2-9/32	3/32
Millimeters	105	358	58	2

