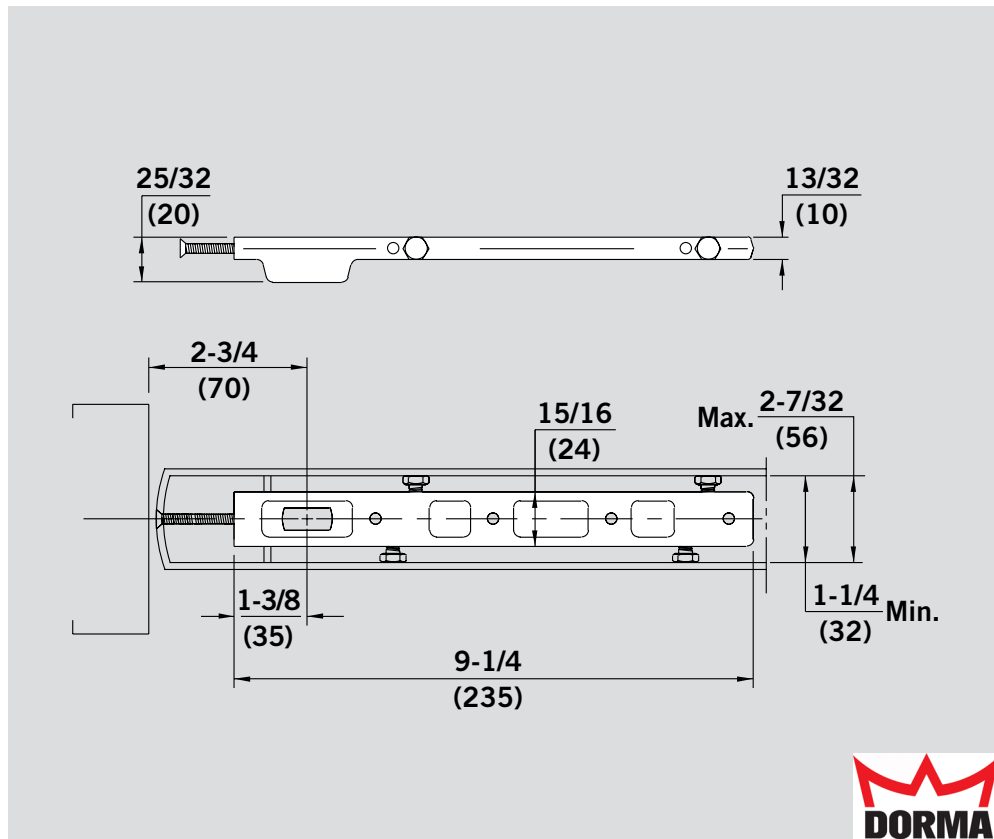


COMPONENT SPECIFICATION SHEET

DORMA Bottom Pivot Arm - 7422



No. 7422 — Center hung bottom arm for aluminum doors. For use with 7471K and 7471HD floor bearing, BTS 80, BTS 75