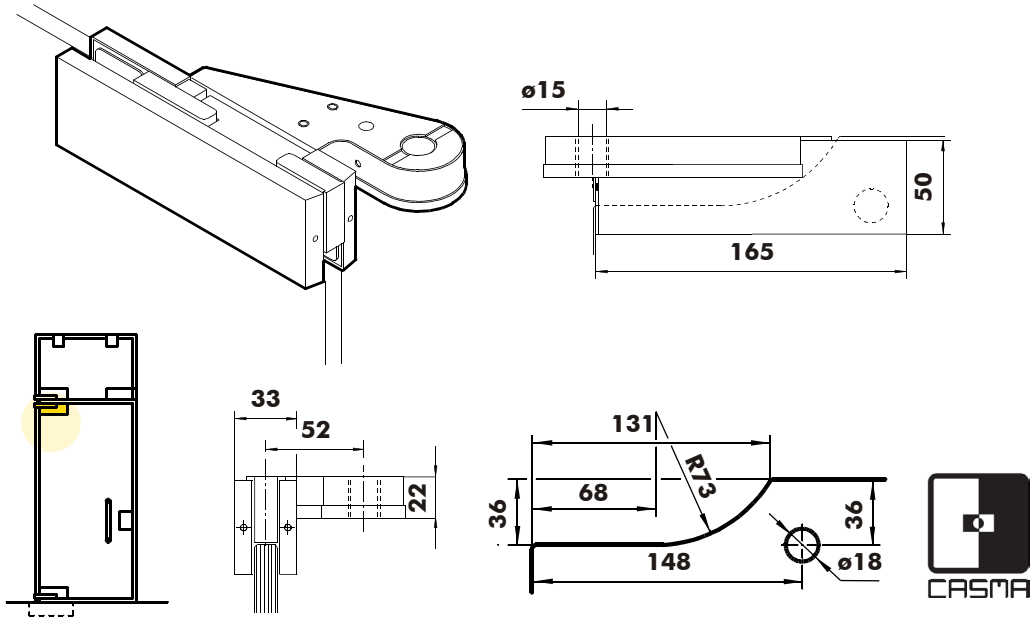


COMPONENT SPECIFICATION SHEET

CASMA Offset Top Patch Fitting - 42881



Also available from DORMA & CRL.

FUNCTION

- Offset Hung Pivot
- Left or Right Doors
- Solid Aluminum Body

STOCK FINISHES

- Brush Stainless Steel
- Polish Stainless Steel
- Clear Anodized

AVAILABLE FINISHES

- Polished Brass
- Dark Bronze Anodized

RELATED PARTS

- 10411 Top Pivot
- 41881/2 Patch Pivot

CUSTOM FINISHES

- Paint
- Powder Coating
- Custom Anodized